



**Fittings and
Flow Controls**

www.AirCylindersDirect.com

How to Order

E-INB 109 - 104 - 022

Fitting Series

INB = NPTF/Inch Tube

Fitting Style

103 = Straight

109 = Swivel

110 = Union Tee

Thread Size

036 = 10-32 UNF

020 = 1/8 NPTF

021 = 1/4 NPTF

022 = 3/8 NPTF

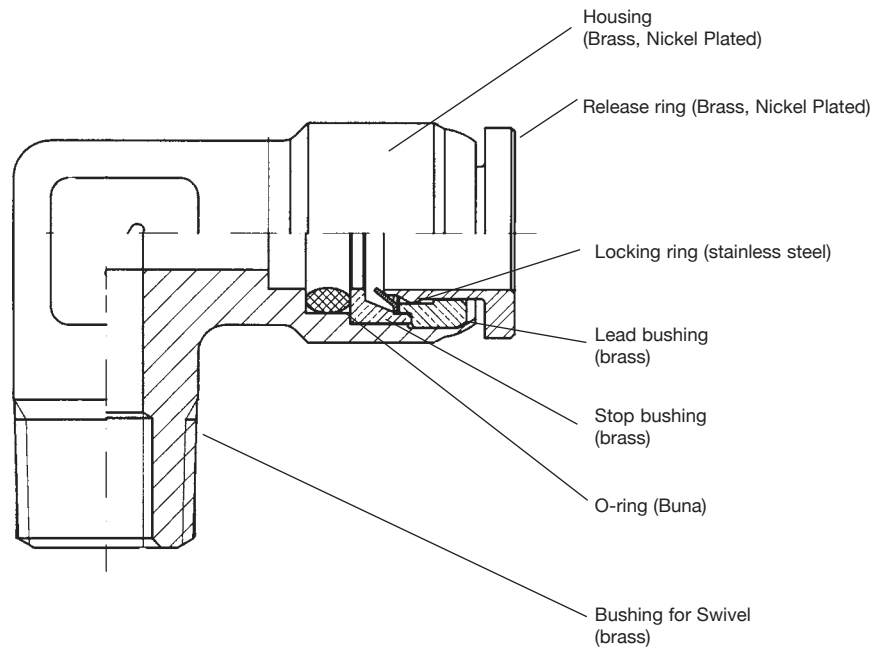
023 = 1/2 NPTF

Tube Size

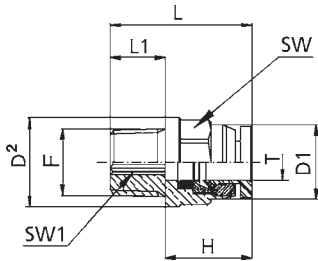
104 = 1/4"

308 = 3/8"

- Pressure Rating to 265 psi
- Vacuum Rating: 29" of Mercury Hg
- Temperature range: -20°F to +176°F (BUNA N O-ring)
- Push-in fittings with NPTF Threads
- Teflon thread sealant
- Tube diameter: 1/4" and 3/8"
- Thread size: 10-32 UNF to 1/2 NPTF

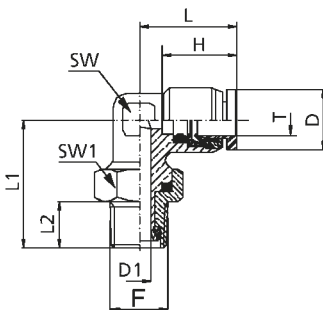


E-INB103 Straight



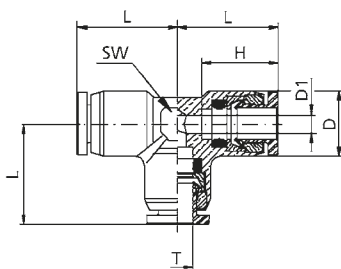
E-INB103	Tube Diameter T	Thread F	D1	D2	L	L1	H	SW	SW1
E-INB103-104-036	1/4	10-32 UNF	0.472	0.472	0.772	0.165	0.531	/	5/64
E-INB103-104-020	1/4	1/8 NPTF	0.472	0.551	0.886	0.374	0.531	1/2	5/32
E-INB103-104-021	1/4	1/4 NPTF	0.472	0.551	1.024	0.512	0.531	1/2	5/32
E-INB103-104-022	1/4	3/8 NPTF	0.472	0.709	1.024	0.512	0.531	1/2	5/32
E-INB103-308-020	3/8	1/8 NPTF	0.669	0.787	1.114	0.374	0.669	11/16	7/32
E-INB103-308-021	3/8	1/4 NPTF	0.669	0.787	1.232	0.512	0.669	11/16	1/4
E-INB103-308-022	3/8	3/8 NPTF	0.669	0.787	1.232	0.512	0.669	11/16	1/4
E-INB103-308-023	3/8	1/2 NPTF	0.669	0.866	1.390	0.709	0.669	11/16	1/4

E-INB109 Swivel



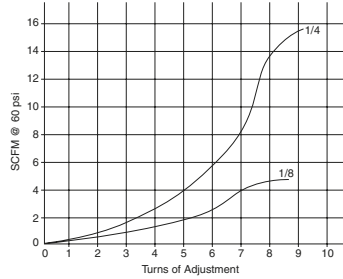
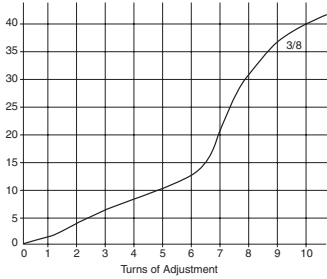
E-INB109	Tube Diameter T	Thread F	D	D1	L	L1	L2	H	SW	SW1
E-INB109-104-036	1/4	10-32 UNF	0.472	0.087	0.740	0.709	0.165	0.531	0.433	0.354
E-INB109-104-020	1/4	1/8 NPTF	0.472	0.157	0.740	0.906	0.374	0.531	0.433	0.512
E-INB109-104-021	1/4	1/4 NPTF	0.472	0.236	0.740	1.031	0.512	0.531	0.433	0.591
E-INB109-104-022	1/4	3/8 NPTF	0.472	0.236	0.740	1.071	0.512	0.531	0.433	0.709
E-INB109-308-020	3/8	1/8 NPTF	0.709	0.157	1.043	1.043	0.374	0.669	0.630	0.512
E-INB109-308-021	3/8	1/4 NPTF	0.709	0.236	1.043	1.181	0.512	0.669	0.630	0.591
E-INB109-308-022	3/8	3/8 NPTF	0.709	0.315	1.043	1.220	0.512	0.669	0.630	0.709
E-INB109-308-023	3/8	1/2 NPTF	0.709	0.315	1.043	1.358	0.709	0.669	0.630	0.866

E-INB110 Union Tee



E-INB110	Tube Diameter T	D	D1	L	H	SW
E-INB110-104-000	1/4	0.472	0.157	0.740	0.531	0.433
E-INB110-308-000	3/8	0.709	0.295	1.004	0.669	0.630

Flow Controls



Features

Knob adjust

Specifications

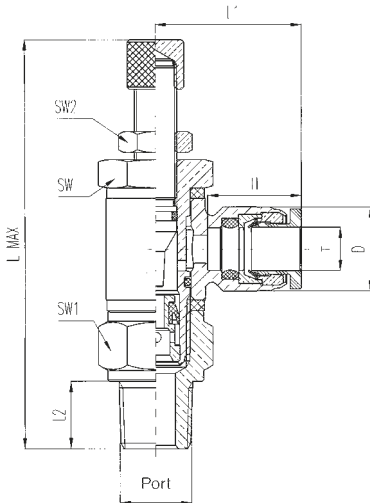
Temperature Range: 0° to 176°F

Maximum Operating Pressure: 265 psi

Materials of Construction

Body: brass-nickel plated; screw: stainless steel; seals: Buna; release button: brass-nickel plated; adjustment needle: brass

E-INB136C Flow Control with Knob



MODEL NUMBER	Tube Diameter T	PORTS NPTF	L MAX	L1	DIMENSIONS			D	SW	SW1
					L2	H				
E-INB136C-104-020	1/4	1/8	2.283	0.881	0.374	0.531	0.472	0.551	0.551	
E-INB136C-104-021	1/4	1/4	2.717	0.890	0.512	0.531	0.472	0.669	0.669	
E-INB136C-308-021	3/8	1/4	2.717	1.067	0.512	0.669	0.709	0.669	0.669	
E-INB136C-308-022	3/8	3/8	3.000	1.220	0.512	0.669	0.709	0.748	0.866	



The Online Answer to Air Applications

*EN Series
NFPA Interchangeable
Cylinders*



*NR Series
Non-Repairable
Cylinders*



*EG Series
Switches and
Sensors*



Cylinder Accessories



Custom Cylinders



plus:

- **Product Configurator**
- **Cross Reference Program**
- **CAD Files**

1-866-404-5300